



MEISHUO Building Materials CO.,Ltd

Office: No.2208, Huaqiao Square, Pukou district, Nanjing,China

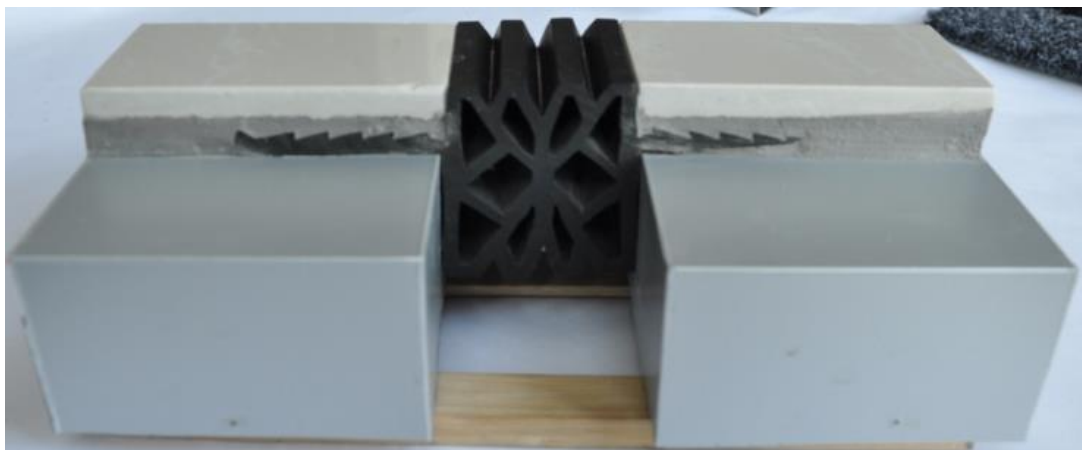
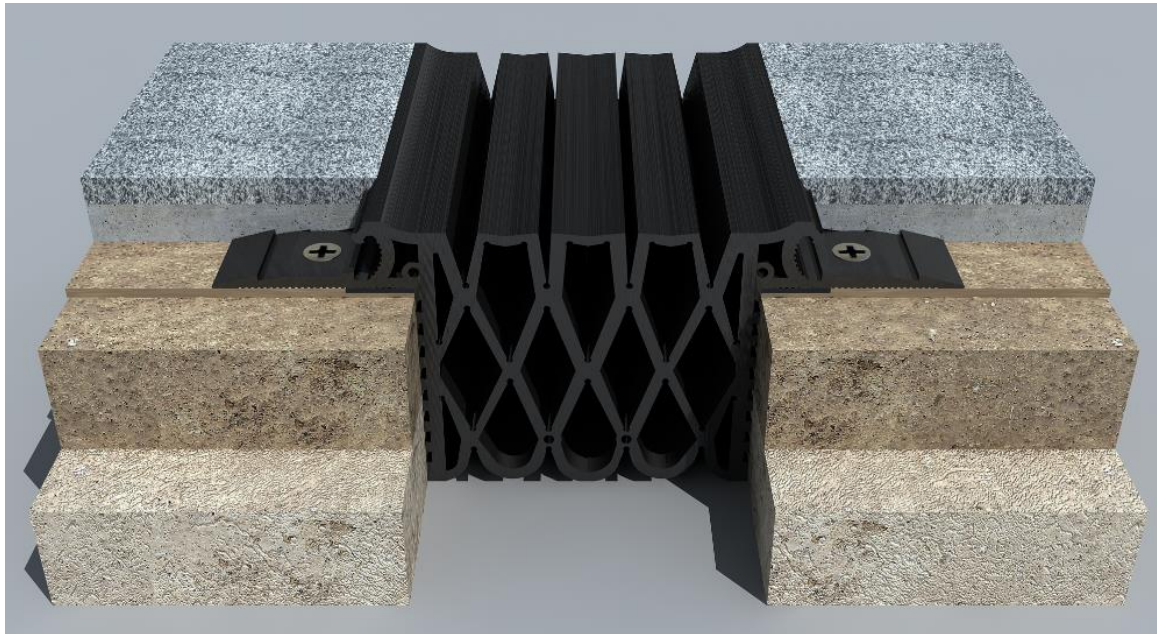
Tel: 0086-025-58196288 Fax:0086-025-58196399

Website: www.msbox.com E-mail:sariel@msbox.com

Car Parking Expansion Joint MSTPT-1

- Featuring a high load bearing system
- Ideal for vehicular traffic areas, such as parking garages and warehouses
- Fully engineered for both pneumatic and solid tires
- Ideal for carpet, vinyl, ceramic tile and other floor finishes
- Easy to Install

MODEL	JOINT WIDTH	MINIMUM OPENING	MAXIMUM OPENING	EXPOSED SURFACE	BLOCKOUT WIDTH	BLOCKOUT HEIGHT	Load Capacity
MSTPT-1	50mm	20mm	64mm	80mm	150mm	57mm	5 Ton



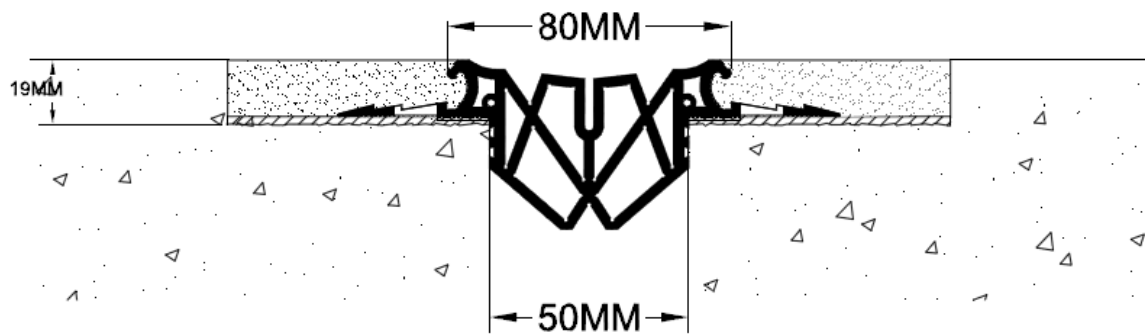


MEISHUO Building Materials CO.,Ltd

Office: No.2208, Huaqiao Square, Pukou district, Nanjing,China

Tel: 0086-025-58196288 Fax:0086-025-58196399

Website: www.msbox.com E-mail:sariel@msbox.com



WARRANTY:

Meishuo warrants that its products are manufactured free of defects and conform to the technical data listed. Under this warranty, we will replace any material proven defective when applied in accordance with our written instructions for applications recommended by us as suitable for subject products. Meishuo shall not be liable for any injury, loss or damage, direct or consequential, arising out of the use of the product.