



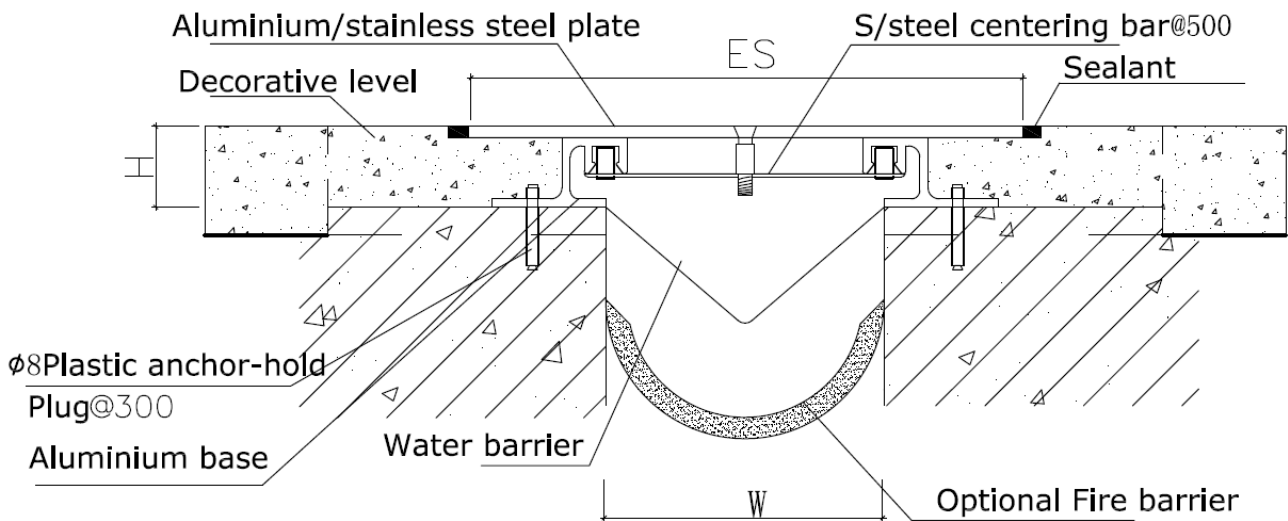
MEISHUO Building Materials CO.,Ltd

Office: No.2208, Huaqiao Square, Pukou district, Nanjing,China

Tel: 0086-025-58196288 Fax:0086-025-58196399

Website: www.msbox.com E-mail:sariel@msbox.com

MSDGCP EXPANSION JOINT SPEC DATA





MEISHUO Building Materials CO.,Ltd

Office: No.2208, Huaqiao Square, Pukou district, Nanjing,China

Tel: 0086-025-58196288 Fax:0086-025-58196399

Website: www.msbox.com E-mail:sariel@msbox.com

MSDGCP EXPANSION JOINT SPEC DATA

Product Description:

An architectural line of thermal, seismic, waterproof and fire rated expansion joint systems meeting the aesthetic and structural demands of airports, hospitals, shopping malls and other building types.

TECHNICAL DATA:

MATERIALS:

Aluminum: ASTM 6063T5 Mill finish, anodisation

Joint Width (W)	50	75	100	125	150	200	250	Remark (plate matched with joint width)	
Exposed surface (ES)	150	150	200	200	250	300	300	100> W ≥50, match 150mm*4mm Aluminum Profile plate; 150> W≥100, match 200mm*4mm Aluminum Profile plate;	
Movement Capacity	Total	140	140	185	190	240	290	290	200> W≥150, match 250mm*4.5mm Aluminum Profile plate
	+	115	90	110	90	115	115	65	250>W≥200, match 300mm*5mm Aluminum Profile plate
	-	25	50	75	100	125	175	225	W=250mm, match 300mm*6.3mm Aluminum Profile plate
Wideness of Plate(mm)	150	150	200	200	250	300	300	Stainless Steel plate can be chosen on request.	
Thickness of Plate(mm)	4	4	4	4	4.5	5	6.3		
Load Capacity(KN)	25	20	10	10	10	10	10		

WARRANTY:

Meishuo warrants that its products are manufactured free of defects and conform to the technical data listed. Under this warranty, we will replace any material proven defective when applied in accordance with our written instructions for applications recommended by us as suitable for subject products. Meishuo shall not be liable for any injury, loss or damage, direct or consequential, arising out of the use of the product.